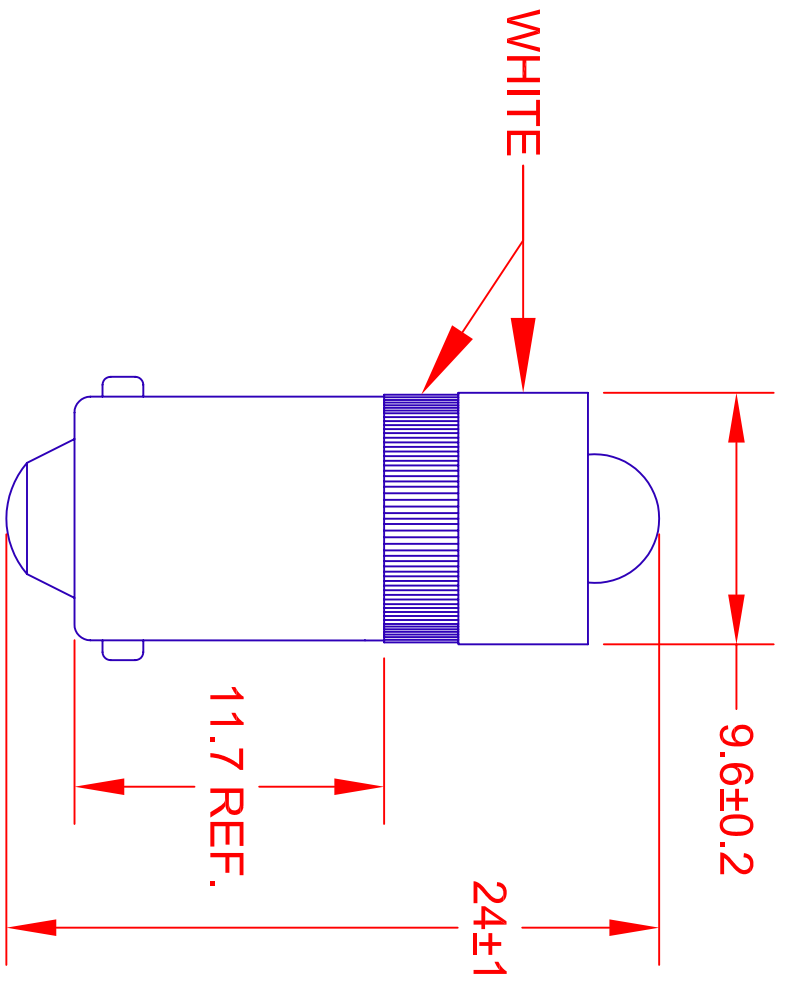


REV.	DESCRIPTION/ECO NO.	DATE
	RELEASE & CANCEL PL-0606-01	7/20/06



ELECTRICAL OPTICAL CHARACTERISTICS

JKL PART #	COLOR	AC/DC VOLTS	AMPS (mA)	LUMINOUS INTENSITY (mcd)	PEAK WAVELENGTH (nm)	50% POWER ANGLE (deg.)
LE-BA9S-6W	WHITE	6	20 (MAX.)	MIN 10,000 TYP. 13,000	464	30

		METRIC DIMENSIONS ARE IN MILLIMETERS TOLERANCE UNLESS OTHERWISE SPECIFIED 1 PL +/- 0.2 2 PL +/- 0.20 ANGLE +/- 0	
JKL COMPONENTS CORPORATION 6V BAYONET BASED LED		LE-BA9S-6W	
DRAWN BY L. WENGSTROM	APPVD BY L.R.	DATE 7/20/06	DRAWING NO. 55335
- CAD DRAWING - MANUAL REVISIONS NOT PERMITTED	SCALE NONE	RELEASED DATE 7/20/06	REVISION DATE
		REV. NO.	SHEET 1 OF 1